

## 23. Keyless Buzzer

### A: REMOVAL

1) Disconnect the ground cable from battery. <Ref. to NT-5, BATTERY, NOTE, Note.>

#### NOTE:

For models other than STI model, disconnect the ground terminal from battery sensor.

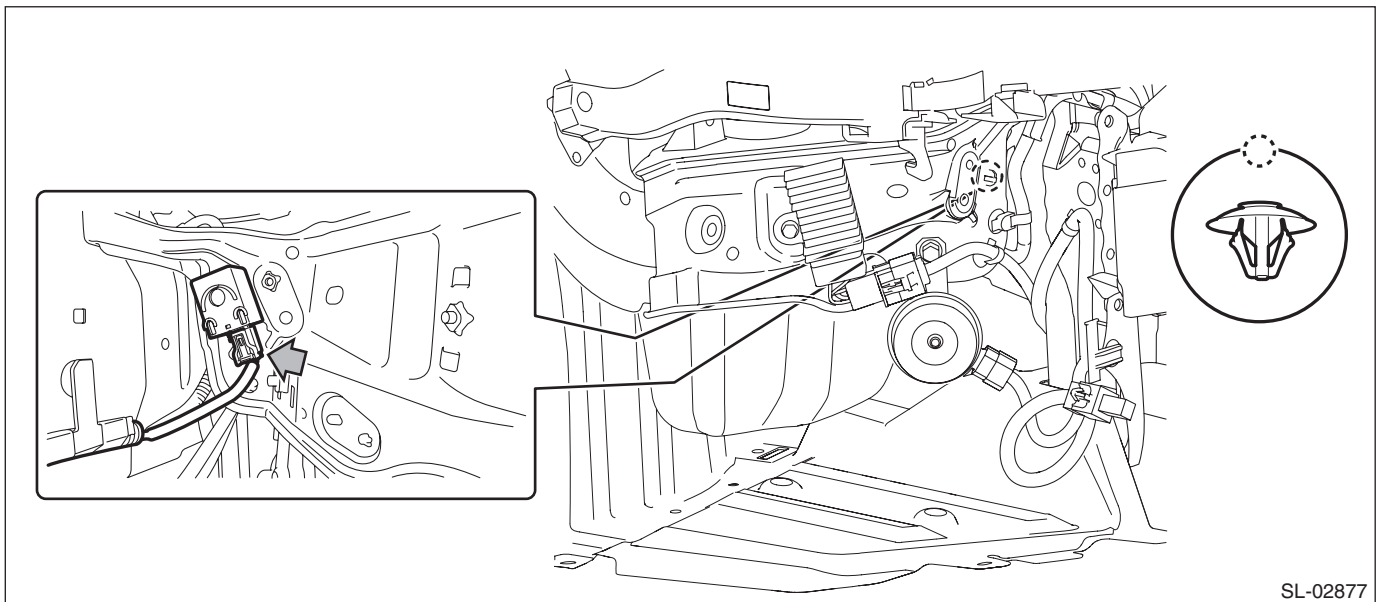
2) Remove the air cleaner case.

- STI model: <Ref. to IN(STI)-9, REMOVAL, Air Cleaner Case.>
- Except for STI model: <Ref. to IN(w/o STI)-9, REMOVAL, Air Cleaner Case.>

3) Lift up the vehicle.

4) Remove the keyless buzzer.

- (1) Disconnect the connector.
- (2) Remove the clip and detach the keyless buzzer.



### B: INSTALLATION

1) Install the keyless buzzer.

2) Install the air cleaner case.

- STI model: <Ref. to IN(STI)-9, INSTALLATION, Air Cleaner Case.>
- Except for STI model: <Ref. to IN(w/o STI)-12, INSTALLATION, Air Cleaner Case.>

3) Connect the battery ground terminal. <Ref. to NT-5, BATTERY, NOTE, Note.>

#### NOTE:

For models other than STI model, connect the ground terminal to battery sensor.

### C: INSPECTION

- Using the Subaru Select Monitor, set the volume of the keyless buzzer. <Ref. to BC(diag)-20, User Customizing.>

- Using the Subaru Select Monitor, perform forced operation of the keyless buzzer. <Ref. to BC(diag)-20, OPERATION, User Customizing.>

If the buzzer does not sound, replace the keyless buzzer.